



FÉDÉRATION  
INTERNATIONALE  
DE NATATION

**SWIMMING POOL CERTIFICATE**

**FOR OLYMPIC GAMES AND WORLD CHAMPIONSHIPS  
FEBRUARY 2020**

**NATIONAL FEDERATION**

**BUILDING NAME**

**OWNER**

**CONTRACTOR**

**DESIGN TEAM**

**DATE**

**FINA**

**APPROVED BY**

**DATE**

**SIGNATURE**

BUILDING DRAWING - KEY PLAN

POOL DRAWINGS

Longitudinal Section

Floor Plan

Cross Section

BUILDING NAME

SURVEYOR		SIGNATURE	
POOL EXPERT		SIGNATURE	
FEDERATION MEMBER		SIGNATURE	
FEDERATION			
POOL No		PAGE No	1
		DATE	

## FR 3 - SWIMMING POOLS FOR OLYMPIC GAMES AND WORLD CHAMPIONSHIPS

### MEASUREMENT CRITERIA

- 1.- The measurements shall be done by an official surveyor approved by FINA.
- 2.- The surveying equipment shall be a Total Station. The minimum requirements of the Total Station are the following:
  - Angle Measurement Accuracy Hz and V: 1" (0.3 mgon)
  - Distance Measurement Accuracy: 1mm + 1.5ppm
- 3.- The surveyor shall provide a Calibration Certificate confirming the measurement quality of surveying equipment. The certificate will have a maximum validity of 1 year.
- 4.- All dimensions shall be measured using a mini prism or targets.
- 5.- The measurements corresponding to the FR 3.1, 3.2, 3.6, 3.7, 3.8 and 3.9 shall be measured with the pool full of water. The water level can be lowered up to 5cm to avoid water reflection when measuring.
- 6.- The measurements corresponding to the FR 3.3, 3.4, 3.16 shall be measured with the empty pool.
- 7.- The water temperature shall be 25° to 28 °C.
- 8.- The length of the pool FR 3.1 shall be measured in the centre of each lane.
- 8.- The width of the pool FR 3.2 shall be measured at both ends of the pool.
- 10.- The depth of the pool FR 3.3 shall be measured at least in 3 points per lane: 1 metre from each end wall and in the centre of the pool.
- 11.- The verticality of the end walls FR 3.4 shall be measured in the centre of each lane. The end walls shall be vertical and form 90 degrees right angles. The admissible tolerance in walls verticality will be  $\pm 0.30^\circ$ .

### ORTHOGONALITY OF THE POOL

The sides of the pool shall be orthogonal and form 90 degrees right angle. The tolerance of the angle is  $\pm 0.05^\circ$ .  
The 2 diagonals shall be the same length. The tolerance of the diagonal is 10mm.

ORTHOGONALITY OF THE POOL		DEGREES / m
Angle 1		
Angle 2		
Angle 3		
Angle 4		
Diagonal 1		
Diagonal 2		

### BUILDING NAME

SURVEYOR		SIGNATURE	
POOL EXPERT		SIGNATURE	
FEDERATION MEMBER		SIGNATURE	
FEDERATION			
POOL No		PAGE No	2
		DATE	

## FR 3 - SWIMMING POOLS FOR OLYMPIC GAMES AND WORLD CHAMPIONSHIPS

### FR 3 - LENGTH / FR 3.1 - DIMENSIONAL TOLERANCES

FR 3 - Length: 50.0m between the Automatic Officiating Equipment touch panels, except for the World Swimming Championships (25m), which shall be 25.0m between the Automatic Officiating Equipment touch panels at the starting end and the wall or touch panels at the turning end.

FR 3.1 - Dimensional Tolerances as in FR 2.2

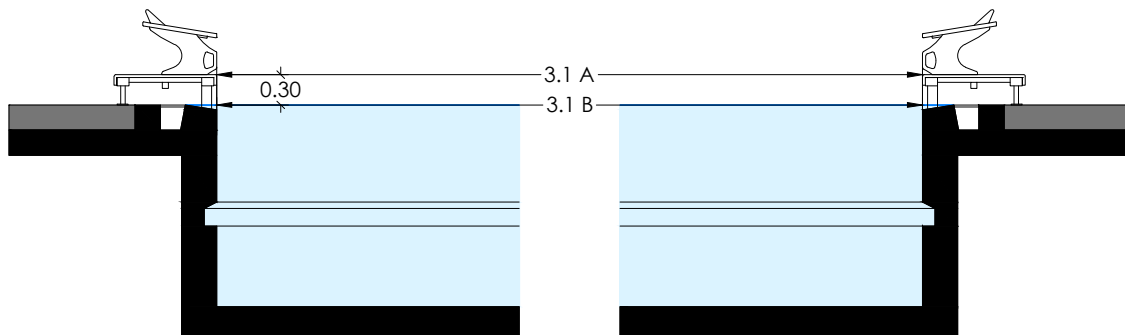
The admissible tolerance in 50.00 m / 25.00 m swimming pools will be +0.010, -0.000 metre. Tolerances will be measured as follows :

Wall to Wall : Minimum 50.020m / 25.020m - Maximum 50.030m / 25.030m

Tolerances have to be consistent 0.300 metre above to 0.800 metre below the water surface. These measurements should be certified by a surveyor or other qualified official, appointed or approved by the Member in the country in which the pool is situated.

Distances between walls - Length shall be measured in the centre of the lane.

LANE No	2.1 A (m)	2.1 B (m)
0		
1		
2		
3		
4		
5		
6		
7		
8		
9		



### BUILDING NAME

SURVEYOR		SIGNATURE	
POOL EXPERT		SIGNATURE	
FEDERATION MEMBER		SIGNATURE	
FEDERATION			
POOL No		PAGE No	3
		DATE	

## FR 3 - SWIMMING POOLS FOR OLYMPIC GAMES AND WORLD CHAMPIONSHIPS

### FR 3 - LENGTH / FR 3.1 - DIMENSIONAL TOLERANCES

FR 3 - Length: 50.0m between the Automatic Officiating Equipment touch panels, except for the World Swimming Championships (25m), which shall be 25.0m between the Automatic Officiating Equipment touch panels at the starting end and the wall or touch panels at the turning end.

FR 3.1 - Dimensional Tolerances as in FR 2.2

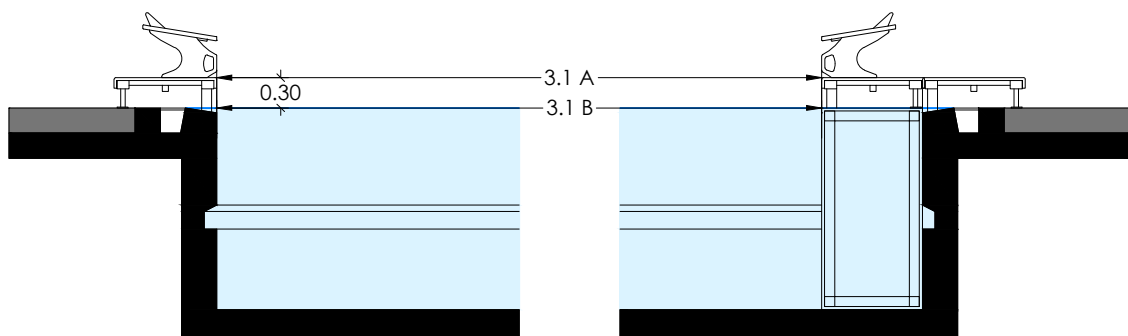
The admissible tolerance in 50.00 m / 25.00 m swimming pools will be +0.010, -0.000 metre. Tolerances will be measured as follows :

Wall to Wall : Minimum 50.020m / 25.020m - Maximum 50.030m / 25.030m

Tolerances have to be consistent 0.300 metre above to 0.800 metre below the water surface. These measurements should be certified by a surveyor or other qualified official, appointed or approved by the Member in the country in which the pool is situated.

Distances between walls - Length shall be measured in the centre of the lane.

LANE No	2.1 A (m)	2.1 B (m)
0		
1		
2		
3		
4		
5		
6		
7		
8		
9		



### BUILDING NAME

SURVEYOR		SIGNATURE	
POOL EXPERT		SIGNATURE	
FEDERATION MEMBER		SIGNATURE	
FEDERATION			
POOL No		PAGE No	3.1
		DATE	

## FR 3 - SWIMMING POOLS FOR OLYMPIC GAMES AND WORLD CHAMPIONSHIPS

### FR 3 - LENGTH / FR 3.1 - DIMENSIONAL TOLERANCES

FR 3 - Length: 50.0m between the Automatic Officiating Equipment touch panels, except for the World Swimming Championships (25m), which shall be 25.0m between the Automatic Officiating Equipment touch panels at the starting end and the wall or touch panels at the turning end.

FR 3.1 - Dimensional Tolerances as in FR 2.2

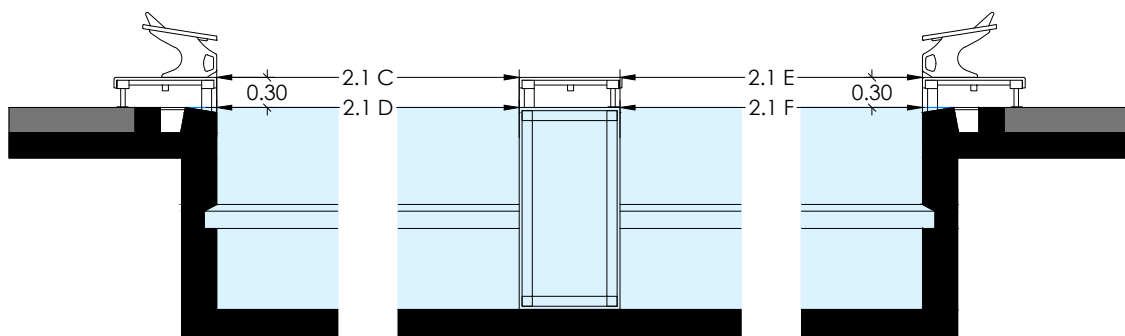
The admissible tolerance in 50.00 m / 25.00 m swimming pools will be +0.010, -0.000 metre. Tolerances will be measured as follows :

Wall to Wall : Minimum 50.020m / 25.020m - Maximum 50.030m / 25.030m

Tolerances have to be consistent 0.300 metre above to 0.800 metre below the water surface. These measurements should be certified by a surveyor or other qualified official, appointed or approved by the Member in the country in which the pool is situated.

Distances between walls - Length shall be measured in the centre of the lane.

LANE No	2.1 C (m)	2.1 D (m)	2.1 E (m)	2.1 F (m)
0				
1				
2				
3				
4				
5				
6				
7				
8				
9				



### BUILDING NAME

SURVEYOR		SIGNATURE	
POOL EXPERT		SIGNATURE	
FEDERATION MEMBER		SIGNATURE	
FEDERATION			
POOL No		PAGE No	3.2
		DATE	

## FR 3 - SWIMMING POOLS FOR OLYMPIC GAMES AND WORLD CHAMPIONSHIPS

### FR 3.2 - WIDTH

OLYMPIC GAMES: - Permanent Swimming Pools 25.00 meters  
- Temporary Swimming Pools 25.00 metres

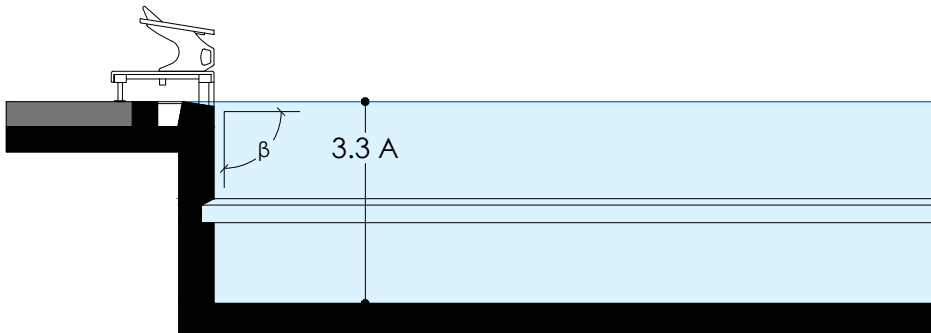
WORLD CHAMPIONSHIPS: - Permanent Swimming Pools 25.00 meters  
- Temporary Swimming Pools 26.0 metres

FR 3.2 - WIDTH		m
End wall 1. Pool Width		
End wall 2. Pool Width		

### FR 3.3 - DEPTH

FR 3.3 - Depth: 2 Metres (minimum); 3 metres recommended, when using the pool for multi disciplines i.e. Artistic Swimming.

DEPTH		m
Minimum pool depth (3.3 A)		



### FR 3.4 - WALLS as in FR 2.4

FR 2.4.1 - End walls shall be vertical, parallel and form 90 degree right angles to the swimming course and to the surface of the water. They shall be constructed of solid material, with a non slip surface extending 0.8 metre below the water surface. The admissible tolerance in walls verticality will be  $\pm 0.3$  degrees.

LANE No	0	1	2	3	4	5	6	7	8	9
Angle $\beta$ - End wall 1										
Angle $\beta$ - End wall 2										

FR 2.4.2 - Rest ledges along the pool walls are permitted; they must be not less than 1.2 metres below the water surface, and may be 0.1 metre to 0.15 metre wide. Both internal and external ledges are acceptable, however internal ledges are preferred.

FR 2.4.2 - REST LEDGES	YES	NO	N/A
Rest ledges			
Rest ledges compliant with FR 2.4.2			

### BUILDING NAME

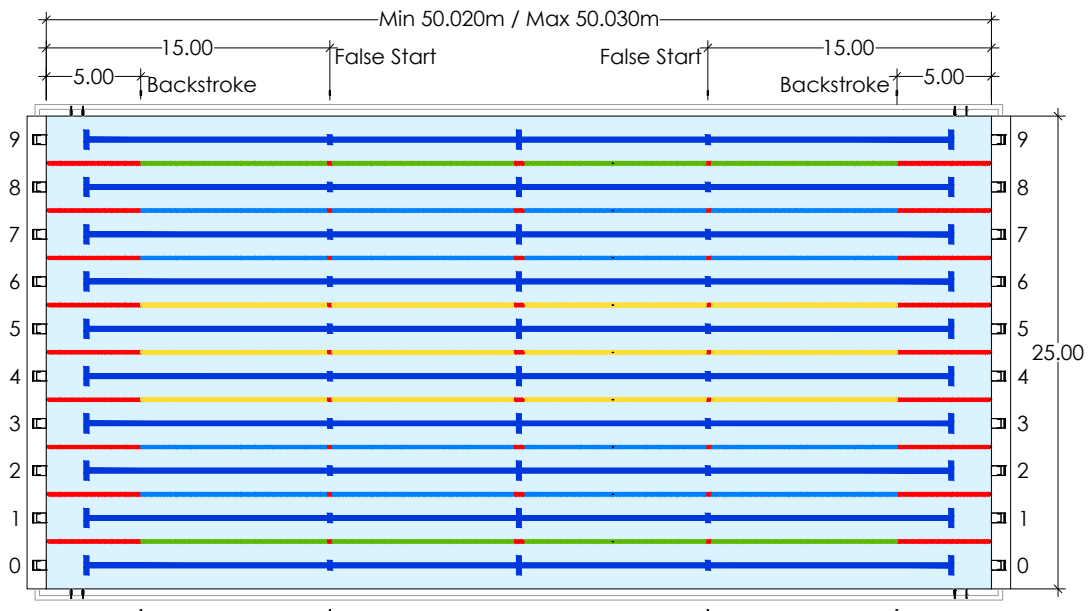
SURVEYOR		SIGNATURE	
POOL EXPERT		SIGNATURE	
FEDERATION MEMBER		SIGNATURE	
FEDERATION			
POOL No		PAGE No	4
		DATE	

## FR 3 - SWIMMING POOLS FOR OLYMPIC GAMES

### FR 3.6 - NUMBER OF LANES / FR 3.7 LANES / FR 3.8 LANE ROPES

FINA RULE	COMPLIANT	NONCOMPLIANT
FR 3.6 - Number of lanes: 8 lanes for Olympic Games		
FR 3.7.1 - Olympic Games. Lanes shall be 2.5 metres wide with 2 spaces 2.5 metres wide outside of lanes 1 and 8. There must be a lane rope separating these spaces from lanes 1 and 8.		
FR 3.8 - Lane ropes shall extend the full length of the course [...] Lane ropes must comply with the requirements established in the FR 3.8.  In a swimming pool the colour of the lane ropes should be as follows: OLYMPIC GAMES In an 8 (eight) lanes swimming pool the colour of the lane ropes should be as follows: • Two (2) GREEN ropes for lanes 1 and 8 • Four (4) BLUE ropes for lanes 2, 3, 6 and 7 • Three (3) YELLOW ropes for lanes 4 and 5  The components extending for a distance of 5.0 m from each end of the pool shall be of RED colour.  There shall not be more than one lane rope between each lane. The lane ropes shall be firmly stretched and the tensions should be 1-1,2kN.		
FR 2.6.2 - At the 15-metre mark from each end wall of the pool the components shall be distinct in colour from the surrounding floats.		
FR 2.6.3 - In 50 metre pools the components shall be distinct to mark 25 metres.		

Read in conjunction with the below diagram.



### BUILDING NAME

SURVEYOR		SIGNATURE	
POOL EXPERT		SIGNATURE	
FEDERATION MEMBER		SIGNATURE	
FEDERATION			
POOL No		PAGE No	5
		DATE	

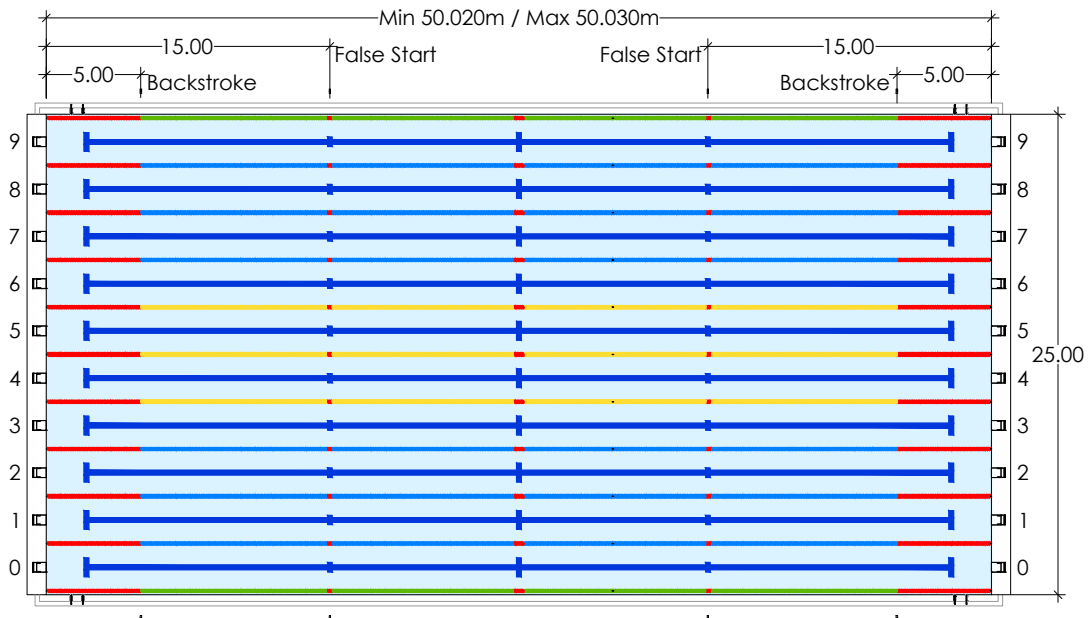


**FR 3 - SWIMMING POOLS FOR WORLD CHAMPIONSHIPS - PERMANENT POOLS**

**FR 3.6 - NUMBER OF LANES / FR 3.7 LANES / FR 3.8 LANE ROPES**

FINA RULE	COMPLIANT	NONCOMPLIANT
FR 3.6 - Number of lanes: 10 lanes for World Championships		
FR 3.7.2 World Championships. For permanent swimming pools, lanes from 1 to 8 shall be 2.5 metres wide and lanes 0 and 9 shall be 2.4 metres wide with 2 spaces 0.1 metres wide outside of lanes 0 and 9. There must be a lane rope separating these spaces from lanes 0 and 9 for World Championships.		
FR 3.8 - Lane ropes shall extend the full length of the course [...] Lane ropes must comply with the requirements established in the FR 3.8.  In a swimming pool the colour of the lane ropes should be as follows: WORLD CHAMPIONSHIPS In an 10 (ten) lanes swimming pool the colour of the lane ropes should be as follows: • Two (2) GREEN ropes for lanes 0 and 9 • Four (6) BLUE ropes for lanes 1, 2, 3, 6, 7 and 8 • Three (3) YELLOW ropes for lanes 4 and 5  The components extending for a distance of 5.0 m from each end of the pool shall be of RED colour.  There shall not be more than one lane rope between each lane. The lane ropes shall be firmly stretched and the tensions should be 1-1,2kN.		
FR 2.6.2 - At the 15-metre mark from each end wall of the pool the components shall be distinct in colour from the surrounding floats.		
FR 2.6.3 - In 50 metre pools the components shall be distinct to mark 25 metres.		

Read in conjunction with the below diagram.



**BUILDING NAME**

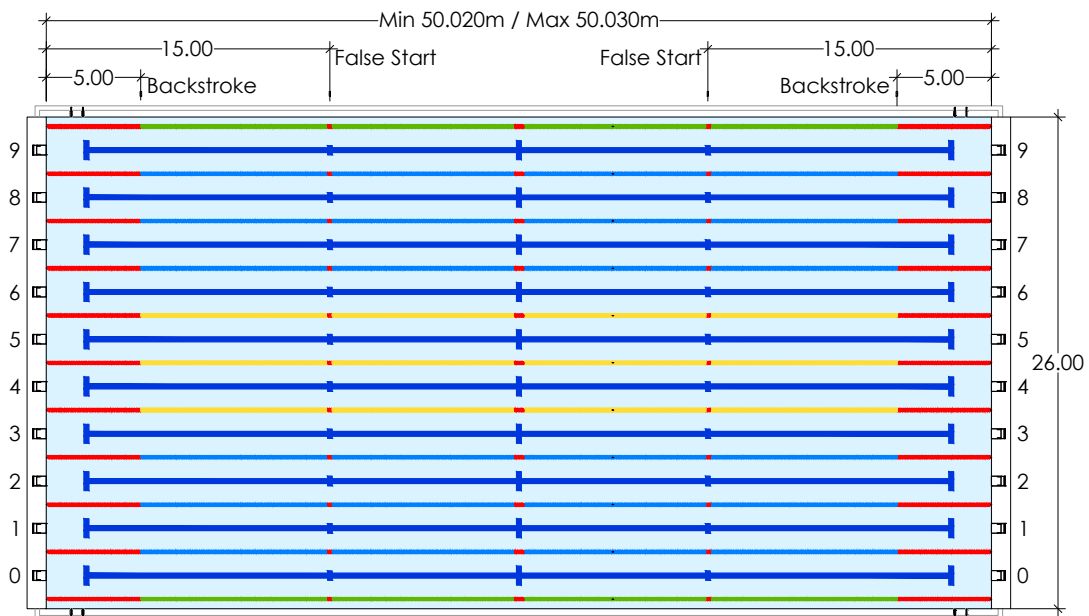
SURVEYOR		SIGNATURE	
POOL EXPERT		SIGNATURE	
FEDERATION MEMBER		SIGNATURE	
FEDERATION			
POOL No		PAGE No	5
		DATE	

**FR 3 - SWIMMING POOLS FOR WORLD CHAMPIONSHIPS - TEMPORARY POOLS**

**FR 3.6 - NUMBER OF LANES / FR 3.7 LANES / FR 3.8 LANE ROPES**

FINA RULE	COMPLIANT	NONCOMPLIANT
FR 3.6 - Number of lanes: 10 lanes for World Championships		
FR 3.7.2 World Championships. For temporary swimming pools, lanes shall be 2.5 metres wide with 2 spaces 0.5 metres wide outside of lanes 0 and 9. There must be a lane rope a separating these spaces from lanes 0 and 9.		
<p>FR 3.8 - Lane ropes shall extend the full length of the course [...]  <i>Lane ropes must comply with the requirements established in the FR 3.8.</i></p> <p>In a swimming pool the colour of the lane ropes should be as follows:  <b>WORLD CHAMPIONSHIPS</b>                      In an 10 (ten) lanes swimming pool the colour of the lane ropes should be as follows:</p> <ul style="list-style-type: none"> <li>• Two (2) GREEN ropes for lanes 0 and 9</li> <li>• Four (6) BLUE ropes for lanes 1, 2, 3, 6, 7 and 8</li> <li>• Three (3) YELLOW ropes for lanes 4 and 5</li> </ul> <p>The components extending for a distance of 5.0 m from each end of the pool shall be of RED colour.</p> <p>There shall not be more than one lane rope between each lane. The lane ropes shall be firmly stretched and the tensions should be 1-1,2kN.</p>		
FR 2.6.2 - At the 15-metre mark from each end wall of the pool the components shall be distinct in colour from the surrounding floats.		
FR 2.6.3 - In 50 metre pools the components shall be distinct to mark 25 metres.		

Read in conjunction with the below diagram.



**BUILDING NAME**

SURVEYOR		SIGNATURE	
POOL EXPERT		SIGNATURE	
FEDERATION MEMBER		SIGNATURE	
FEDERATION			
POOL No		PAGE No	5
		DATE	

## FR 3 - SWIMMING POOLS FOR OLYMPIC GAMES AND WORLD CHAMPIONSHIPS

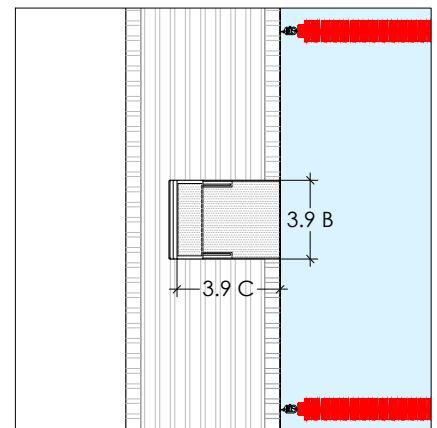
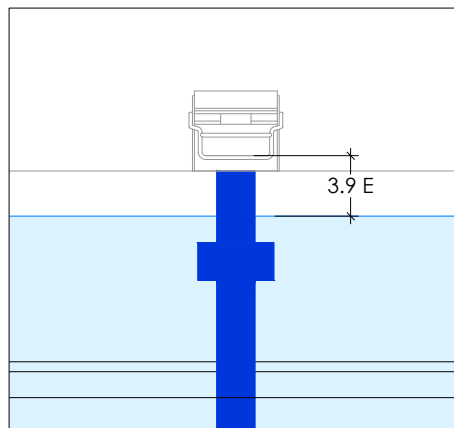
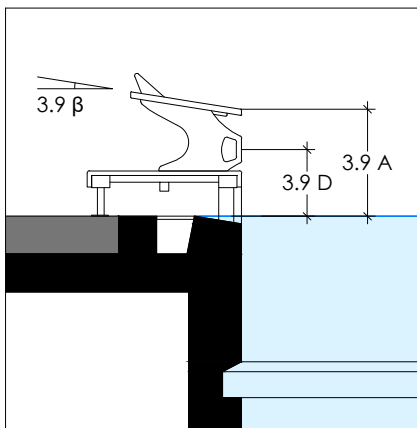
### FR 3.9 - STARTING PLATFORMS

FR 3.9 - Starting Platforms shall be firm and give no springing effect. The height of the platform above the water surface shall be from 0.5 metre to 0.75 metre. The surface area shall be at least 0.5 metre x 0.6 metre and covered with a non-slip material.

Maximum slope shall not be more than 10 degrees. The starting platform may have an adjustable setting back plate. The platform shall be constructed so as to permit the gripping of the platform by the swimmer in the forward start at the front and the sides; it is recommended that, if the thickness of the starting platform exceeds 0.04 metre, grips of at least 0.1 metre width on each side and 0.4 metre width in the front be cut out to 0.03 metre from the surface of the platform. Handgrips for the forward start may be installed on the sides of the starting platforms. Handgrips for backstroke starts shall be placed within 0.3 metre to 0.6 metre above the water surface both horizontally and vertically. They shall be parallel to the surface of the end wall and must not protrude beyond the end wall.

A minimum depth of 1.35 metres, extending from 1.0 metre to at least 6.0 metres from the end wall is required for pools with starting blocks. Electronic read-out boards may be installed under the blocks. Flashing is not allowed. Figures must not move during a backstroke start

FR 3.9 - STARTING PLATFORM	COMPLIANT	NONCOMPLIANT
The height of the platform (3.9 A) above the water surface shall be from 0.5 metre to 0.75 metre.		
The surface area of the platform shall be at least 0.5 metre wide (3.9 B) x 0.6 metre in length (3.9 C) and covered with a non-slip material.		
Maximum slope of the platform shall not be more than 10 degrees (3.9 β) .		
The starting platform shall be constructed so as to permit the gripping of the platform by the swimmer in the forward start at the front and the sides		
Handgrips for backstroke starts shall be placed within 0.3 metre to 0.6 metre above the water surface both horizontally and vertically (3.9 D,E). They shall be parallel to the surface of the end wall and must not protrude beyond the end wall.		
False start control equipment must be installed		



### FR 3.10 NUMBERING - as in FR 2.8

FINA RULE	COMPLIANT	NONCOMPLIANT
FR 2.8 - Numbering: Each starting block must be distinctly numbered on all four sides, clearly visible. It is recommended that lane number 0 shall be on the right-hand side when facing the course from the starting end with exception of 50m events, which may start from the opposite end. Touch panels may be numbered on the top part.		

### BUILDING NAME

SURVEYOR		SIGNATURE	
POOL EXPERT		SIGNATURE	
FEDERATION MEMBER		SIGNATURE	
FEDERATION			
POOL No		PAGE No	6
		DATE	

## FR 3 - SWIMMING POOLS FOR OLYMPIC GAMES AND WORLD CHAMPIONSHIPS

### FR 3.11 - BACKSTROKE TURN INDICATORS

FINA RULE	COMPLIANT	NONCOMPLIANT
FR 3.11 - Backstroke turn indicators: as in FR 2.9 Flagged ropes must be 1.8 metres above the water surface. Flags must be fixed to the ropes having the following dimensions: 0.20m metres on the rope forming a triangle measuring 0.40 metres on the sides. The distance between each flag must be 0.25metres. If the flags are printed with or support / carry any signage this must be approved in advance by FINA		

### FR 3.12 - BACKSTROKE LEDGE - as in FR 2.10

- FR 2.10 - A backstroke ledge may be used:
- The ledge may be adjustable to 4 cm above or 4 cm below the water level.
  - The ledge is a minimum of 65 cm in length.
  - The ledge must be 8 cm in height, 2 cm at the width with 10 degrees of slope

	YES	NO	N/A
Backstroke Ledge			
Backstroke Ledge compliant with FR 3.12			

### FR 3.13 - FALSE START ROPE - as in FR 2.11

FINA RULE	COMPLIANT	NONCOMPLIANT	N/A
FR 2.11 - False Start Rope may be suspended across the pool not less than 1.2 metre above the water level from fixed standards placed 15.0 m in front of the starting end. It shall be attached to the standards by a quick release mechanism. The rope must effectively cover all lanes when activated.			

### FR 3.14 - WATER TEMPERATURE - as in FR 2.12

FR 2.12 Water Conditions

FINA RULE	COMPLIANT	NONCOMPLIANT
FR 2.12.1 - Water temperature shall be 25° to 28°.		
FR 2.12.2 - Water Movement. During competition the water in the pool must be at a constant level, with no appreciable movement. In order to keep the water level, preserve the transparency of water and take into consideration the health regulations in force in most countries, inflow and outflow has to be regulated as follows: - 220 to 250 m3/h for 50.00 m pools - 150 to 180 m3/h for 33.33 m pools - 120 to 150 m3/h for 25.00 m pools In daily use, inflow and outflow has to follow the health regulation of each country At these turnover rates, the water distribution has to be such that no appreciable current or turbulence is created. <i>Appreciable current or turbulence test should be done as detailed in the FR 2.12.2.</i> <i>The video/s and an annexe with at least 6 frames (1 frame / 10 seconds) per test shall be issued</i>		

### BUILDING NAME

SURVEYOR		SIGNATURE	
POOL EXPERT		SIGNATURE	
FEDERATION MEMBER		SIGNATURE	
FEDERATION			
POOL No		PAGE No	7
		DATE	

FR 3.15 - LIGHTING

FINA RULE	COMPLIANT	NONCOMPLIANT
FR 3.15 Lighting - Light intensity over the whole pool shall not be less than 1500 lux. <i>A lighting report shall be issued</i>		

FR 3.16 - LANE MARKINGS - as in FR 2.14

FR 2.14 Lane Markings - shall be of a dark contrasting colour, placed on the floor of the pool in the centre of each lane.

Width: minimum 0.2 metre, maximum 0.3 metre.

Length: 46.0 metres for 50 metre long pools / 21.0 metres for 25 metre long pools.

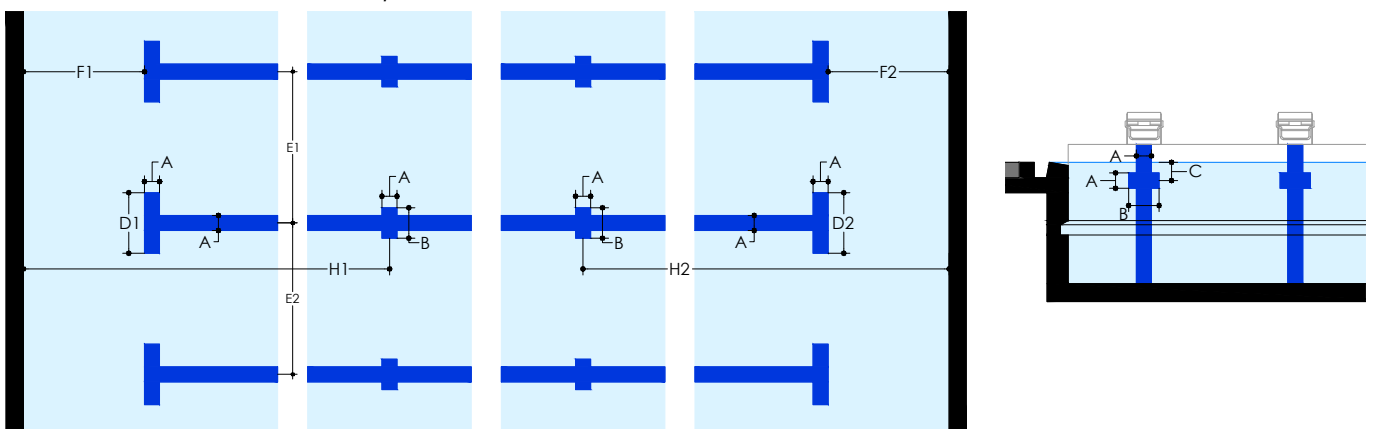
Each lane line shall end 2.0\* metres from the end wall of the pool with a distinctive cross line 1.0 metre long and of the same width as the lane line. Target lines shall be placed on the end walls or on the touch panels, in the centre of each lane, of the same width as the lane lines. \*Pool length tolerances must be considered.

They shall extend without interruption from the deck edge (curb), to the floor of the pool to a maximum of 3 metres. A cross line 0.5 metre long shall be placed 0.3 metre below the water surface, measured to the centre point of the cross line.

For 50m and 25m pools constructed after 1 January 2006, cross lines 0.5 metre long shall be placed at the 15 metre mark from each end of the pool. After October 2013 this shall be measured from the end wall to the centre point of the cross line.

LANE No	A	B	C	D <sub>1</sub> / D <sub>2</sub>	E <sub>1</sub> / E <sub>2</sub>	F <sub>1</sub> / F <sub>2</sub>	H <sub>1</sub> / H <sub>2</sub>
0							
1							
2							
3							
4							
5							
6							
7							
8							
9							

A maximum tolerance of ±5mm is accepted



BUILDING NAME

SURVEYOR		SIGNATURE	
POOL EXPERT		SIGNATURE	
FEDERATION MEMBER		SIGNATURE	
FEDERATION			
POOL No		PAGE No	8
		DATE	

**FR 3 - SWIMMING POOLS FOR OLYMPIC GAMES AND WORLD CHAMPIONSHIPS**

**FR 2.15 - BULKHEADS**

FR 2.15 Bulkheads – When a bulkhead serves as an end wall, it must extend the full width of the course and present a solid smooth, non-slippery stable vertical surface on which touch pads may be mounted extending not less than 0.8m below and 0.3m above the surface of the water, and must be free of hazardous openings above or below the waterline which may be penetrated by a swimmer's hands, feet, toes or fingers. A bulkhead must be of a design that provides for the free movement of officials along its length without such movement creating any appreciable current or water turbulence.

	YES	NO	N/A
Bulkheads			
Bulkheads compliant with FR 2.15			

**COMMENTS**

**BUILDING NAME**

SURVEYOR		SIGNATURE	
POOL EXPERT		SIGNATURE	
FEDERATION MEMBER		SIGNATURE	
FEDERATION			
POOL No		PAGE No	9
		DATE	